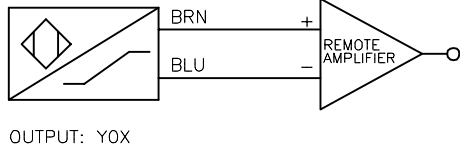
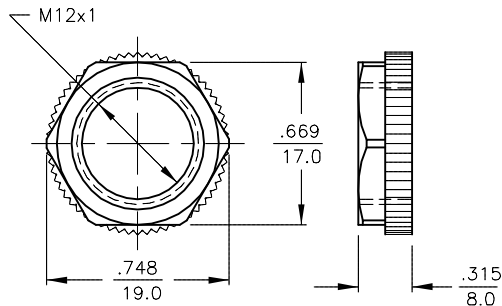


WIRING DIAGRAM

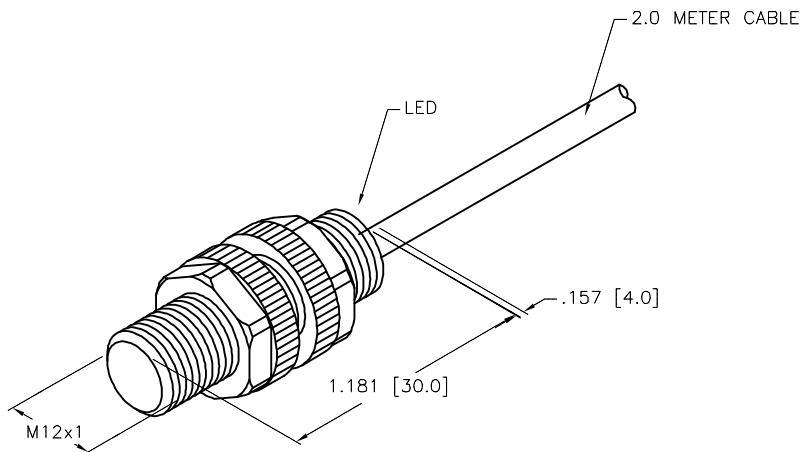


LOCKNUT LN-P12



SPECIFICATIONS

RATED OPERATING DISTANCE	2mm = .079"
MOUNTING MODE	FLUSH
TEMPERATURE DRIFT	±10%
HYSTERESIS	1-10%
MIN. REPEAT ACCURACY	≤2%
OPERATING TEMPERATURE	-40°C to +70°C (-40°F to +158°F)
OUTPUT FUNCTION	2-WIRE, NAMUR
MAX. SWITCHING FREQUENCY	≤2.0 kHz
VOLTAGE	8.2 VDC (NOMINAL)
NON-ACTUATED CURRENT CONSUMPTION	≥2.1 mA
ACTUATED CURRENT CONSUMPTION	≤1.2 mA
HOUSING MATERIAL	PLASTIC, PA12-GF20
ACTIVE FACE MATERIAL	PLASTIC, PA12-GF30
END CAP MATERIAL	PLASTIC, TROGAMID T
CABLE	ø5.2mm OD, SILICONE
VIBRATION RESISTANCE	55 Hz (IN ALL 3 PLANES)
SHOCK RESISTANCE	30 g, 11 ms
DEGREE OF PROTECTION	IP 67
SWITCHING STATUS INDICATION	LED: YELLOW



NOTES:

1. "/S97" INDICATES LOW TEMPERATURE SENSOR RATING TO -40°C.

SOURCE DRAWING - FOR REFERENCE ONLY

RELATED DOCUMENTS		3RD ANGLE PROJECTION		THIS DRAWING IS CONFIDENTIAL AND THE PROPERTY OF TURCK INC. USE OF THIS DOCUMENT WITHOUT WRITTEN PERMISSION IS PROHIBITED.		TURCK INC High Technology Sensors and Automation Controls 3000 CAMPUS DRIVE MINNEAPOLIS, MN 55441 1-800-544-7769 (763) 553-7300 (763) 553-0708 fax turck.com	
1. 2. 3. 4.				DRFT SWC DATE 9/12/94 APVD SCALE 1=1.0		DESCRIPTION BI 2-P12-Y0X/S97	
MATERIAL SEE SPECIFICATIONS		ALL DIMENSIONS DISPLAYED ON THIS DRAWING ARE FOR REFERENCE ONLY		UNIT OF MEASUREMENT INCH [MILLIMETER]		IDENTIFICATION NO. T4030021	
FINISH SEE SPECIFICATIONS		CONTACT TURCK FOR MORE INFORMATION		DO NOT SCALE THIS DRAWING		REV F	
F UPDATE CABLE MATERIAL		NF 09/15/15 51600		FILE: T4030021		SHEET 1 OF 1	
REV DESCRIPTION		BY DATE ECO NO.					